

SEPARATE PLACING BOOMS

and Accessories



MORE CHOICES FOR CONCRETE PLACING EFFICIENCY

More square footage of coverage
with flexible mounting options.



Schwing's four-section Roll & Fold™ boom design combines 694 degrees of usable boom articulation allowing operators to place concrete back to the mast at any elevation and cover thousands of square feet from one location.



Wireless proportional boom controls provide precision placement without interference from other competing signals. Integrated hydraulic power pack is operated off of 460-volt electric motor.



Wherever concrete is needed, in whatever quantities, Schwing has the best system to deliver. Our separate placing booms offer extraordinary versatility producing high delivery rates over large areas and all in a variety of mounting options: free standing, slab supported, self-climbing form systems, on barges, walls or most any structure. Because of our vast experience designing placing booms for the construction of high-rise buildings, dams, bridges, oil drilling platforms, LNG tanks and many other structures, we have a proven method to speed your project to completion. When the project is the most challenging, that's when Schwing's versatile equipment combines with the knowledge and experience of our application engineers to design a delivery system to meet your concrete placement goals.

Schwing brings innovation to the placement of concrete with octagonal mast sections that not only optimize strength and durability through their shape, but are easy to transport and provide a modular approach for ultimate flexibility. Schwing placing booms easily transition from free-standing to slab supported configurations with a range of bolt-on accessories that can be easily added. A self-climbing mechanism makes the raising or lowering of the mast and boom a one-man job freeing the tower crane for other lifting duties.

The overwhelming advantage that Schwing brings to an engineered placing boom project is our ability to match the best components, from the concrete pump to the placing boom and everything in between to create a distribution system that will exceed your expectations. These advantages, along with our extensive parts and service capabilities, mean your first placing boom project with Schwing equipment will be a success, and probably not your last.



Four pin quick-disconnect and quick-release hydraulics allow the boom to be flown and mounted in a matter of minutes including from truck-mounted pumps with optional detachable booms. Hydraulic powerpack (left) can be flown separately to reduce picking weight.



With 730-degrees of rotation, the separate placing boom efficiently places all your elevated concrete.



To improve the utilization of your tower crane, take advantage of the **self-climbing option** that connects hydraulic jacking cylinders to pre-welded climbing rails on each mast. Using existing floors for support, the boom and mast are raised through floor openings and secured by a pin and wedges and a lightweight four-part floor frame that is easy to assemble. Unlike some systems that require that the boom be raised a full floor, the Schwing system provides for 19" incremental repositioning to most efficiently accommodate overhead obstructions.

MODULAR OCTAGONAL MASTS

Exclusively from Schwing.

Schwing simplifies the process of mounting and erecting separate placing booms with the exclusive modular octagonal mast design. This innovative system provides value, convenience and a world-wide solution for all Schwing separate placing boom applications. Simply assemble the four or six-meter sections to create the mast length that best suits your project's needs. Transporting and handling the modular sections is simplified and 16 reusable bolts are all that is needed to join the sections. The strength of the modular sections allows free-standing applications to 70-feet for 28-meter booms and 50-feet for 37-meter units without counterweight. Contractors can easily transition from free standing at the start of a project to self-climbing floor frames in a matter of hours.

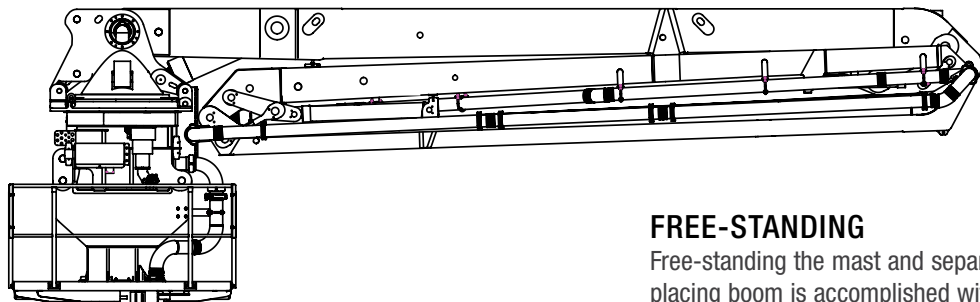
Accessories can also be easily added thanks to brackets welded on each mast section that accept convenient ladder/pipe line holders allowing fast installation. Standard length ladders with bolt on back protectors and a galvanized metal work platform are also available to give workers a stable environment when mounting or operating a placing boom. The same octagonal mast works in free-standing, self-climbing and non-climbing slab-supported applications.



The galvanized expanded metal work platform provides worker stability for mounting the separate placing boom, routine maintenance and operation. Pipeline and ladder brackets are integrated in the design of every modular section allowing fast assembly. Lengthen the octagonal mast by adding 4 or 6-meter modular sections to accommodate the job, and simply add more ladder and pipe sections as required. Mast sections are quickly & easily joined together with 16 bolts.

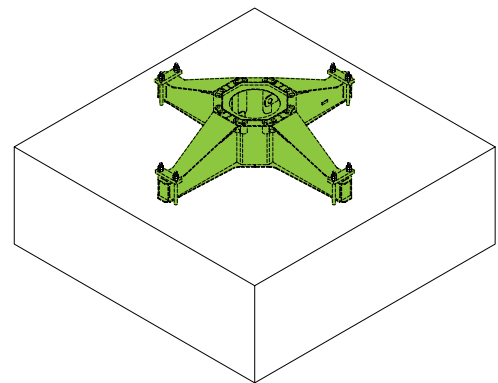
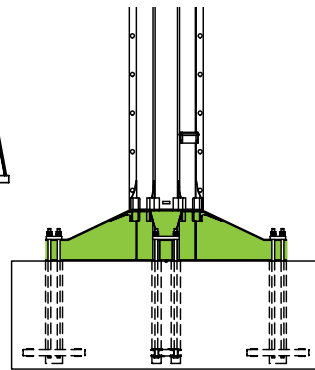
MOUNTING CHOICES

Choose the mounting option that best suits your job site requirements. In many cases, multiple mounting systems are used - start out with a free-standing mast on a gravity base or ballasted cross frame, then transition to a slab supported arrangement using floor frames with a self-climbing mechanism as the structure rises. In all cases, the Schwing octagonal mast system is compatible. Or mount one or more separate placing booms to zero-elevation frames that attach to a climbing form system. Schwing booms are also easily adapted to lattice towers, concrete walls/structures, barges or other marine applications. And our four-pin mounting system allows Schwing separate placing booms to be quickly detached and flown to multiple masts for large-scale projects.

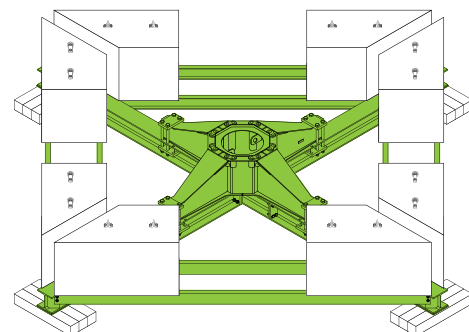


FREE-STANDING

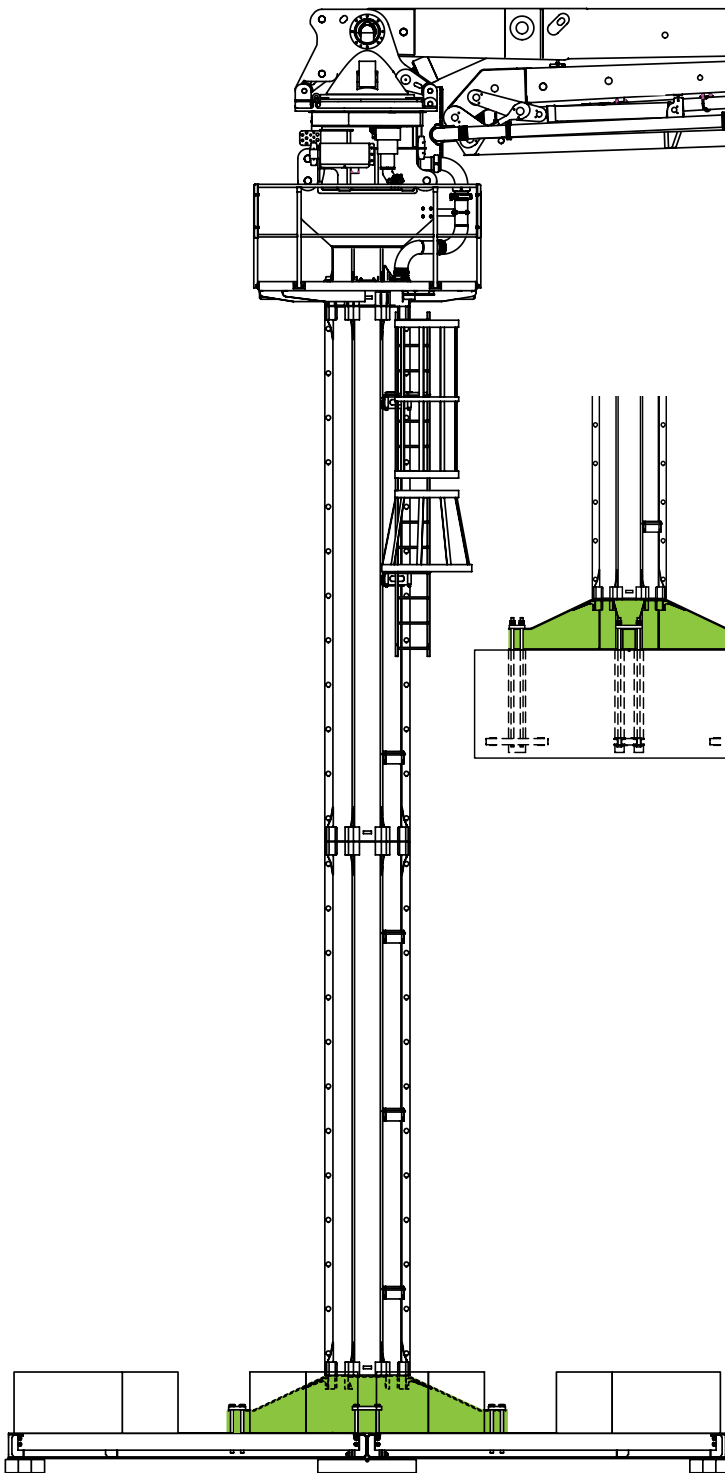
Free-standing the mast and separate placing boom is accomplished with a Cross Frame that can be anchored to a gravity base footing or ballasted frame.



Cross Frame on Gravity Base Footing



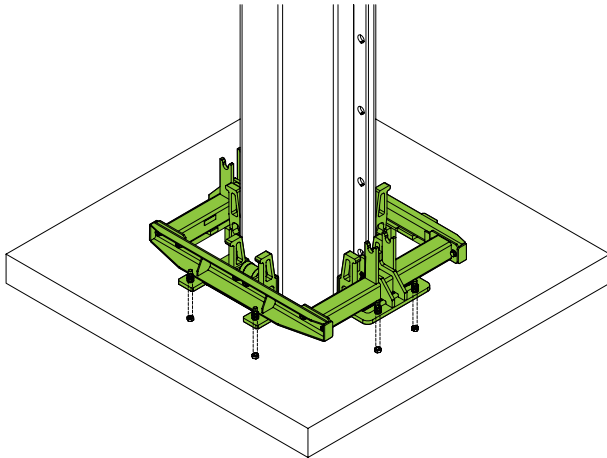
Cross Frame on Ballasted Frame



SLAB SUPPORTED

Floor frames are positioned on two floor levels to secure the mast with pins and wedges.

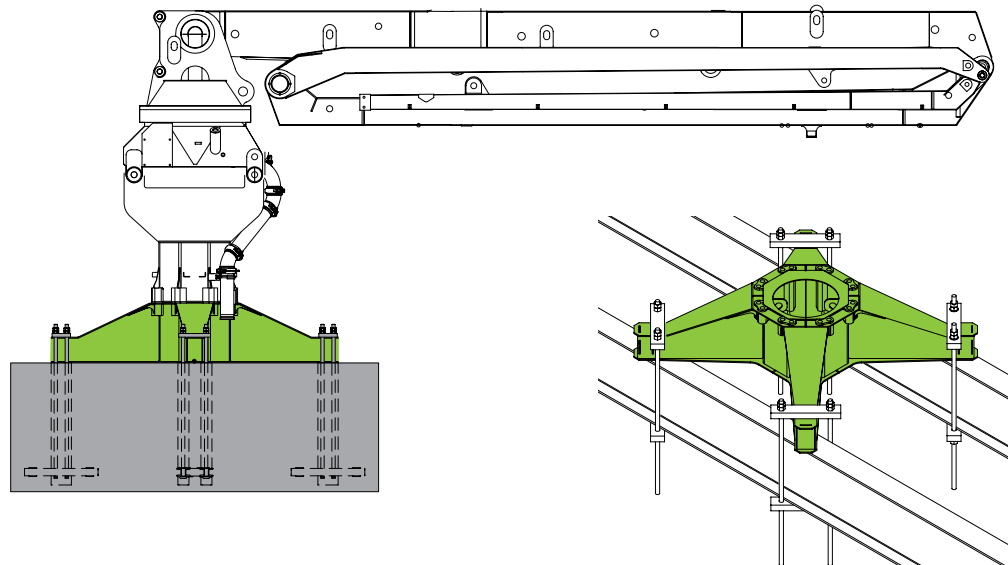
The mast requires a 41-1/8" x 41-1/8" floor opening and is secured by a frame with a pin and system of wedges.



Schwing's lightweight modular self-climbing system can be installed and operated by one-person. Raising the mast and separate placing boom is smooth, balanced and easily performed utilizing two hydraulic cylinders and hydraulic power from the power pack.

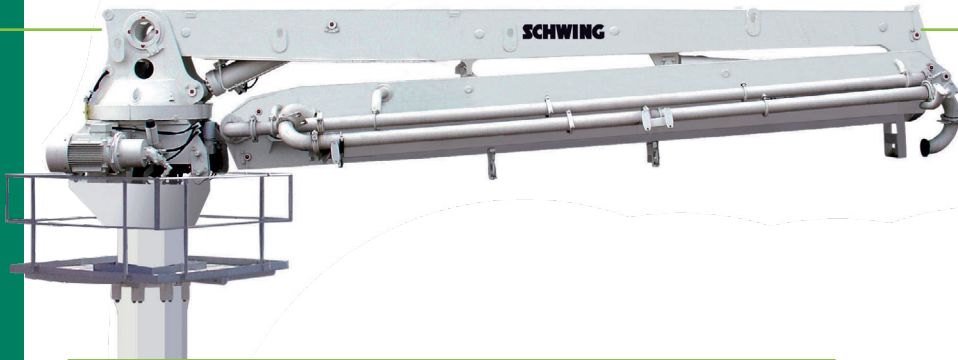
ZERO ELEVATION

Boom and head set mounted directly to cross frame for attachment to form system, gravity based footing or barge.



TECHNICAL DATA

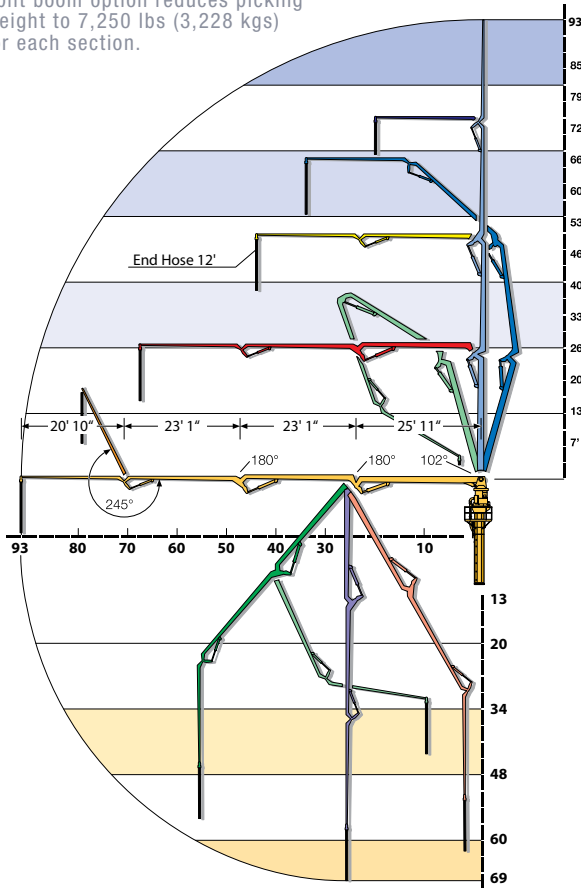
SPB 28



SPB 28

Horizontal reach	ft./m	93/28
Number of sections		4
Slewing range		730°
Pipeline diameter	ft./mm	5/125
End hose	ft./m	12/3.6
Max. free standing height on octagonal mast	ft.-in./m	69-10/21.28
Total picking weight	lbs./kg	13,700/6214*

* Split boom option reduces picking weight to 7,250 lbs (3,228 kgs) for each section.

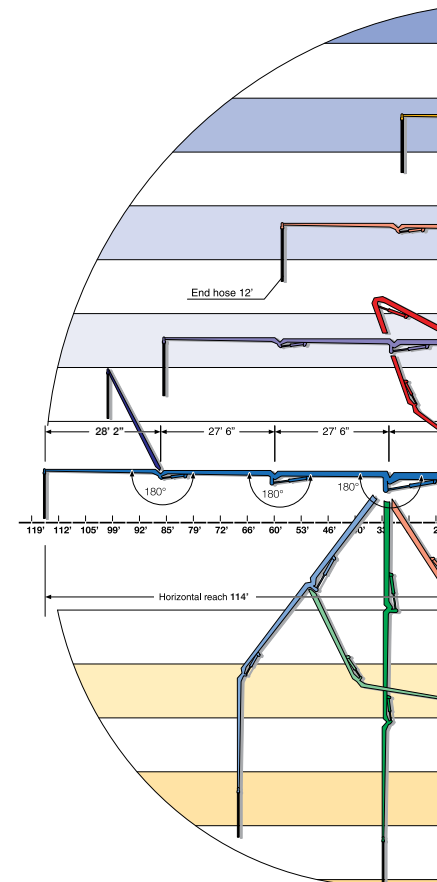


SPB 35



Detachable Option on S 39 SX

Horizontal reach	ft.-in./m	
Number of sections		
Slewing range		
Pipeline diameter	ft./mm	
End hose	ft./m	
Max. free standing height on octagonal mast	ft./m	
Picking weights: Powerpack	lbs./kg	
Boom	lbs./kg	

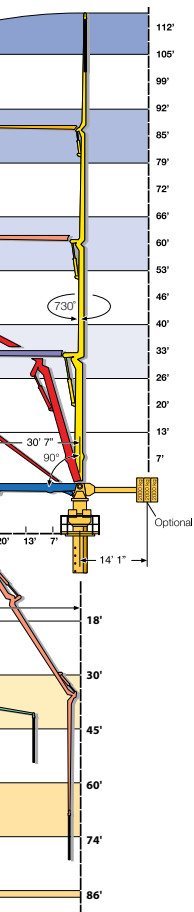


SPB 37



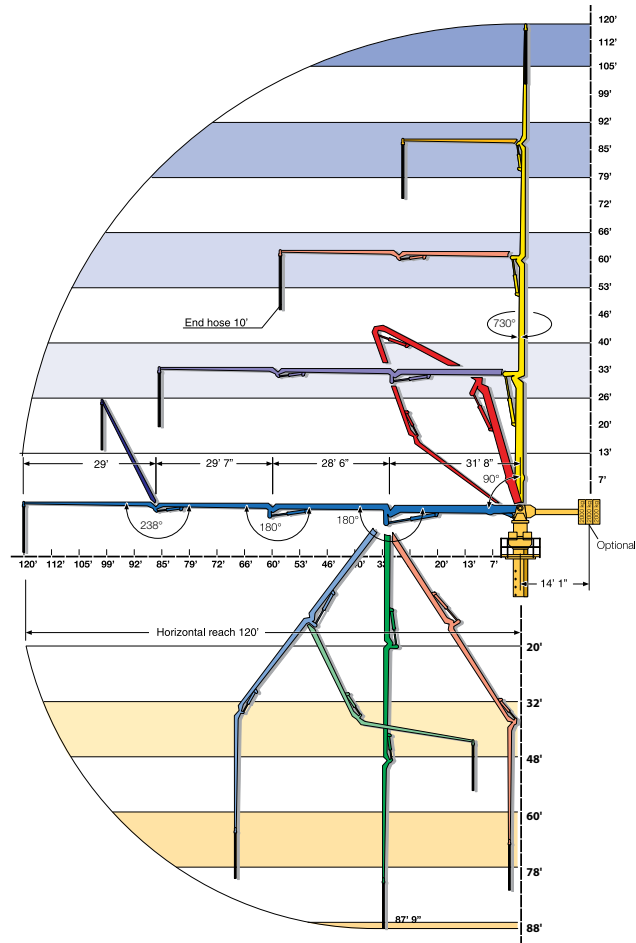
SPB 35

114/35
4
730°
5/125
12/3.6
51/15.5
5900/2676
12850/5828



Detachable Option

Detachable Option		SPB 37
Horizontal reach	ft./m	120/37
Number of sections		4
Slewing range		730°
Pipeline diameter	ft./mm	4.5/112
End hose	ft./m	10/3
Max. free standing height on octagonal mast	ft./m	51/15.5
Picking weights: Powerpack	lbs./kg	5900/2676
Boom	lbs./kg	13000/5898



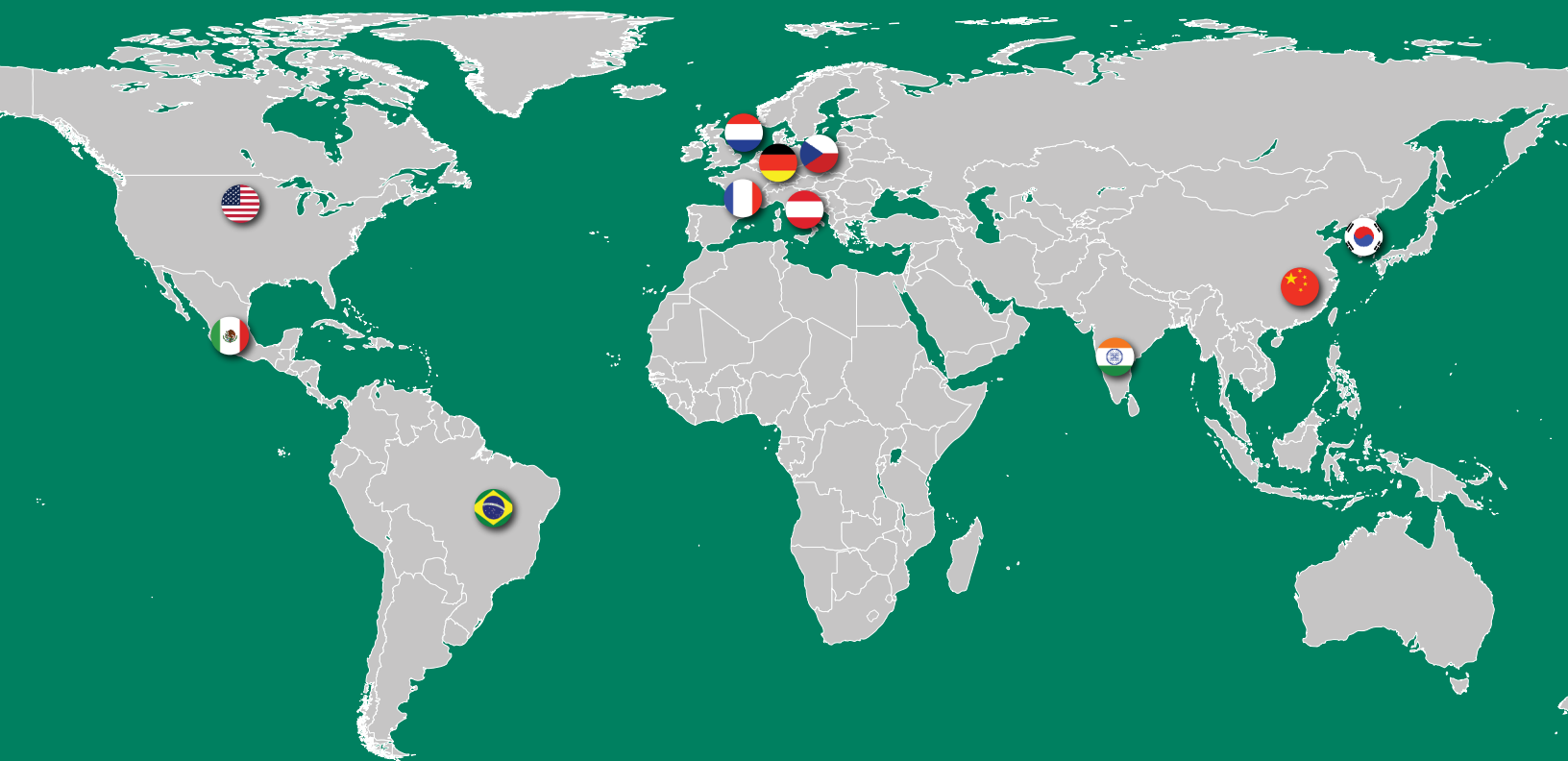
DETACHABLE BOOMS

Maximize the utilization of your S 39 SX with the Gen 2 detachable boom option that allows the boom to be easily removed and mounted hundreds of feet from the pump. You can utilize any of the boom mounting options that are available for dedicated placing booms. The detachable boom option is accompanied by the 2023-5 130/80 MPS pump kit with high pressure capabilities for pumping high-rise structures. With simple four-pin mounting these booms can be flown quickly to multiple masts with the quick-disconnect feature. Use your boom pump for conventional pours one day and fly it to a mast for separate placing boom duty the next day.



IMAGINE THE POSSIBILITIES





SCHWING-STETTER MOVES CONCRETE. **WORLDWIDE.**

Wherever concrete is produced and moved is where you will find Schwing-Stetter machinery.

With plants in Germany, Austria, USA, Brazil, Russia, China and India as well as with more than 100 sales and service facilities, the group of companies is always close to the customer.

Our wide range of products with something for every application is what makes Schwing-Stetter the No. 1 system supplier for concrete machinery worldwide.



CONCRETE
BATCHING PLANTS



TRUCK
MIXERS



TRUCK-MOUNTED
CONCRETE PUMPS



STATIONARY
CONCRETE PUMPS



SEPARATE
PLACING BOOMS



CONCRETE
RECYCLERS

